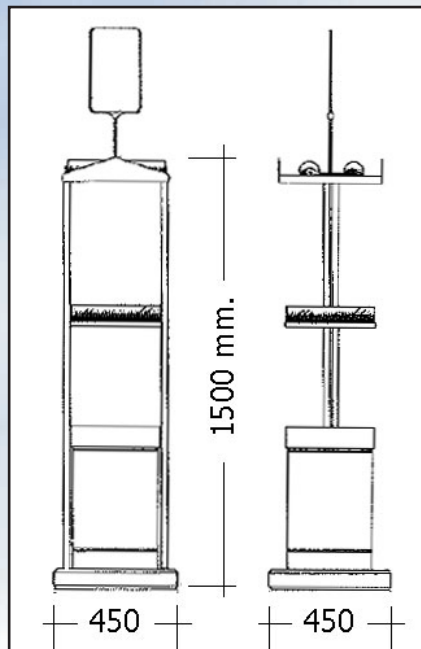




ARTICOLI ESPOSIZIONE FRUTTA & VERDURA FRUIT & VEGETABLES DISPLAY UNIT ARTICLES PRESENTOIRS FRUITS ET LEGUMES

PORTA GUANTI E SACCHETTI RACK DISPLAY FOR GLOVES & PLASTIC BAGS PORTE GANTS ET SACHETS



DESCRIZIONE/DESCRIPTION DESCRIPTIF/BESCHREIBUNG	PORTA GUANTI E SACCHETTI
Codice/code no. Référence / Best. -Nr.	725
Finitura Surface protection Traitement surface Oberflächenverarbeitung	Zincatura elettrolitica Electrolitic galvanizing Zingage electrolytique Electrolitische Verzinkung
Dimensioni Dimensions Dimensions Abmessungen	450 x 1500 mm.